



Slide-In Ranges

FFGS3025L S/W/B

30" Gas



Signature Features

Ready-Select® Controls

Easily select options or control cooking temperature with our easy-to-use controls.

Continuous Cast Iron Grates

Continuous Grates make it easy to move heavy pots and pans between burners without lifting.

Large Capacity

Our large capacity oven gives you room to cook more at once.

One-Touch Self Clean

Start the self-cleaning cycle with just the touch of a button.

Product Dimensions

Height (Max.)	36-5/8"
Width	30"
Depth	28-5/16"

More Easy-To-Use Features

Sealed Gas Burners

Enjoy easier cleanup and a burner that stays looking great.

Black Matte Finish with Cast Iron Grates

A premium finish to complement the durable burner grates.

Quick Boil

Boil water faster with our 15,000 BTU burner.

Low Simmer Burner

Perfect for delicate foods and sauces.

Even Baking Technology

Our latest technology ensures even baking every time.

Store-More™ Storage Drawer

Our convenient drawer gives you extra storage space in your kitchen.

Quick Clean

For a quick, light oven cleaning.

Attractive Stainless Steel Exterior¹

LP Gas Conversion Option

A.D.A. Compliant²
Sabbath Mode (Star-K® Certified)

Available in:

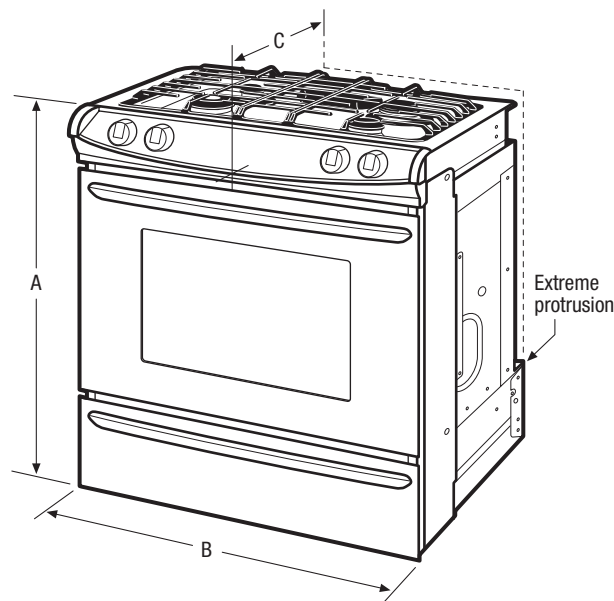


Burners	BTU
Right Front	15,000
Right Rear	5,000
Left Front	9,500
Left Rear	9,500

¹Select model only.

²When properly installed, meets the appliance standards in the Americans with Disabilities Act and the Architectural Barriers Act Accessibility Guidelines as published by the United States Access Board on June 23, 2004, as amended August 5, 2005.

Features	
Oven Control/Timing System	Ready-Select® Controls
Surface Type	Deep-Well Black Porcelain (S), Deep-Well Color-Coordinated Porcelain (W/B)
Sealed Gas Burners	Yes
Grates	Continuous Cast Iron with Black Matte Finish
Window	Extra-Large
Exterior Door Finish	Stainless Steel (S), Color-Coordinated (W/B)
Handle Design	Stainless Steel (S), Color-Coordinated (W/B)
Exterior Finish (Side Panels)	Black (S), Color-Coordinated (W/B)
Convection System	
Oven Cleaning System	Self Clean
Drawer Functionality	Storage
Oven Controls	
Bake	Yes
Broil	Low and High
Add-a-Minute	
Delay Bake	Yes
Self Clean	Yes
Quick Clean Option	Yes
Delay Clean	2, 3 Hours (Scroll Thru)
Kitchen Timer	Yes
Timed Cook Option	Yes
Auto Oven Shut-Off	12 Hours
Cooktop Features	
Right Front Burner (BTU)	15,000
Right Rear Burner (BTU)	5,000
Left Front Burner (BTU)	9,500
Left Rear Burner (BTU)	9,500
Center Extra Zone Burner (BTU)	
Oven Features	
Capacity (Cu. Ft.)	4.2
Oven Light	1
Rack Configuration	2 Handle Racks
Even Baking System	Yes
Broiling System	Vari-Broil™ Hi/Lo
Bake Burner / Broil Burner (BTU)	18,000/11,500
Optional Accessories	
Rear Filler Kit - White (W)/Black (B)	(W) PN# 901193-9011 (B) PN# 901193-9010
Side Panel Kit - White (W)/Black (B)	(W) PN# 903074-9011 (B) PN# 903074-9010
Backguard Kit - White (W)/Black (B)	(W) PN# 903046-9011 (B) PN# 903046-9010
Side Trim Kit - White (W)/Black (B)	(W) PN# 903075-9011 (B) PN# 903075-9010
Certifications	
A.D.A. Compliant ¹	Yes
Sabbath Mode (Star-K® Certified)	Yes
Specifications	
Oven Interior (H x W x D)	16-1/2" x 24-1/8" x 18-1/32"
Power/Gas Supply Conn. Location	Left/Right Bottom Rear
LP Gas Conversion Kit	Included
Voltage Rating	120V / 60 Hz / 15A
Connected Load (kW Rating) @ 120 Volts ²	.7
Amps @ 120 Volts	6
Shipping Weight (Approx.)	250 Lbs.



NOTE: For planning purposes only. Always consult local and national electric and gas codes. Refer to Product Installation Guide for detailed installation instructions on the web at frigidaire.com.



Product Dimensions		Cutout Dimensions	
A - Height (Min.)	35-5/8"	Height (Min.)	35-5/8"
(Max.)	36-5/8"	(Max.)	36-5/8"
B - Width	30"	Width (Min.)	29-15/16"
C - Depth	28-5/16"	(Max.)	30-1/16"*
Depth with Door Open 90°	45-1/2"	Depth (Min.)	21-3/4"
		(Max.)	22-1/8"***

*Cutout and countertop cutout width should match.
 **24" with optional backguard installed.

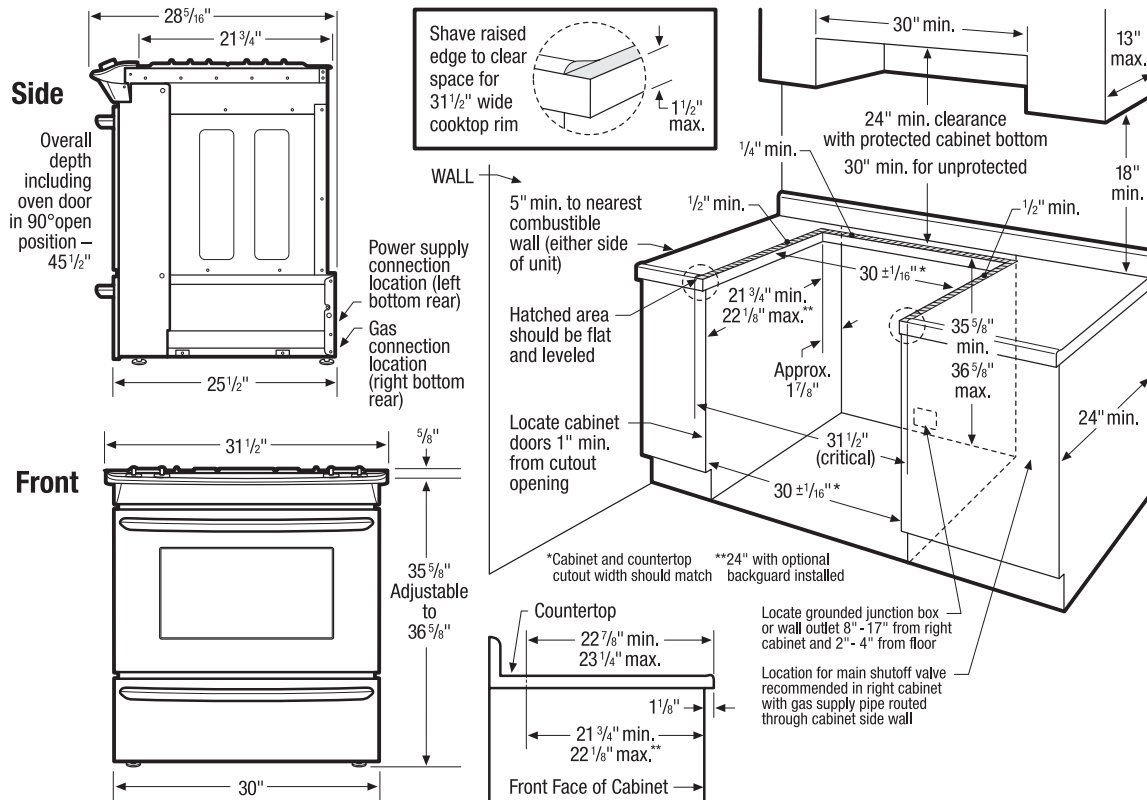
¹When properly installed, meets the appliance standards in the Americans with Disabilities Act and the Architectural Barriers Act Accessibility Guidelines as published by the United States Access Board on June 23, 2004, as amended August 5, 2005.

²For use on adequately wired 120V, dedicated circuit having 2-wire service with a separate ground wire. Appliance must be grounded for safe operation.

Accessories information available on the web at frigidaire.com

FRIGIDAIRE

USA • 10200 David Taylor Drive • Charlotte, NC 28262 • 1-800-FRIGIDAIRE • frigidaire.com
 CANADA • 5855 Terry Fox Way • Mississauga, ON L5V 3E4 • 1-800-265-8352 • frigidaire.ca



Slide-In Range Specifications

- Product Shipping Weight (approx.) - 250 Lbs.
- Voltage Rating - 120V / 60 Hz / 15 Amps
- Connected Load (kW Rating) @ 120 Volts = 0.7kW (For use on adequately wired 120V, dedicated circuit having 2-wire service with a separate ground wire. Appliance must be grounded for safe operation.)
- Amps @ 120V = 6 Amps
- Always consult local and national electric and gas codes.
- Make sure wall coverings around range can withstand heat generated by range.
- Linoleum or any other synthetic floor covering located beneath range, must be capable of withstanding minimum heat of 90°F above room temperature without shrinking, warping or discoloring. Insulating pad or 1/4"-thick plywood required between range and a carpeted floor.
- Do not obstruct flow of combustion air at oven vent nor around base or beneath lower front panel of range. Range requires fresh air for proper burner combustion.
- Range ships with 3/4" factory regulator.
- LP Gas conversion kit supplied.
- Gas supply piping can be routed through side wall of right cabinet. Right side cabinet is ideal location for main shutoff valve.
- Countertop MUST be level in all directions and adjustable range height at least 1/16" greater than tallest cabinet height, to ensure metal rangetop flange will fit properly on countertop edge.
- When installing optional Backguard Kit, cutout depth of 21-3/4" minimum/22-1/8" maximum needs increased to 24".
- Overhead cabinetry should not exceed a 13" maximum depth.
- Absolute minimum horizontal distance between overhead cabinets installed to either side of appliance must be no less than maximum width of appliance.

- Allow 24" minimum clearance between rangetop and bottom of cabinet when bottom of wood or metal cabinet is protected by not less than 1/4" flame-retardant millboard covered with not less than No. 28 MSG sheet steel, 0.015" stainless steel, 0.024" aluminum or 0.020" copper. Allow 30" minimum clearance when cabinet is unprotected.
- Allow 5" minimum clearance from edge of rangetop to nearest combustible wall on either side of unit.
- To reduce risk of fire when using overhead cabinetry, install range hood that projects horizontally a recommended minimum of 5" beyond bottom of cabinets.

Countertop Preparation

- For detailed preparation instructions, refer to installation guide on the web.
- Flat square-finish (flat) countertop requires no preparation since rangetop flange lays directly on countertop edge.
 - Formed front-edged countertops require front molded edge to be shaved flat 3/4" from each front corner of opening.
 - Tile countertops may need cut back 3/4" from each front corner of opening and/or rounded edge flattened.
 - For existing cutout width greater than 30-1/16" reduce the 3/4" overlap dimension or for cutout width of 29", replace actual side trim panels with smaller side trim panels, available with optional Side Trim Kit (refer to detailed kit installation instructions).

Note: For planning purposes only. Refer to Product Installation Guide on the web at frigidaire.com for detailed instructions.

Optional Accessories

- Rear Filler Kit: White - (PN# 901193-9011), Black - (PN# 901193-9010).
- Side Panel Kit: White - (PN# 903074-9011), Black - (PN# 903074-9010).
- Backguard Kit: White - (PN# 903046-9011), Black - (PN# 903046-9010).
- Side Trim Kit: White - (PN# 903075-9011), Black - (PN# 903075-9010).



Use these dimensions and clearance instructions for planning purposes only. For detailed installation instructions, refer to installation guide, packed with product, or on the web at frigidaire.com.



When installing appliances adjacent to each other, 20" minimum distance between each appliance required.

When installing built-in cooking appliances in combination, 2" minimum visible gap between appliance faceplates required.



When installing side-by-side refrigerator adjacent to wall, cabinet or another appliance that extends beyond front edge of unit, 20" minimum clearance recommended to allow for optimum 120° to 180° door swing, providing complete drawer/crisper access and removal.

When installing appliance with sliding drawer, swinging or drop-down door directly across from obstructions, provide sufficient clearance for drawer extension or door swings.



When installing appliance with sliding drawer or drop-down door directly across from obstructions, provide sufficient clearance for drawer extension or door swing.

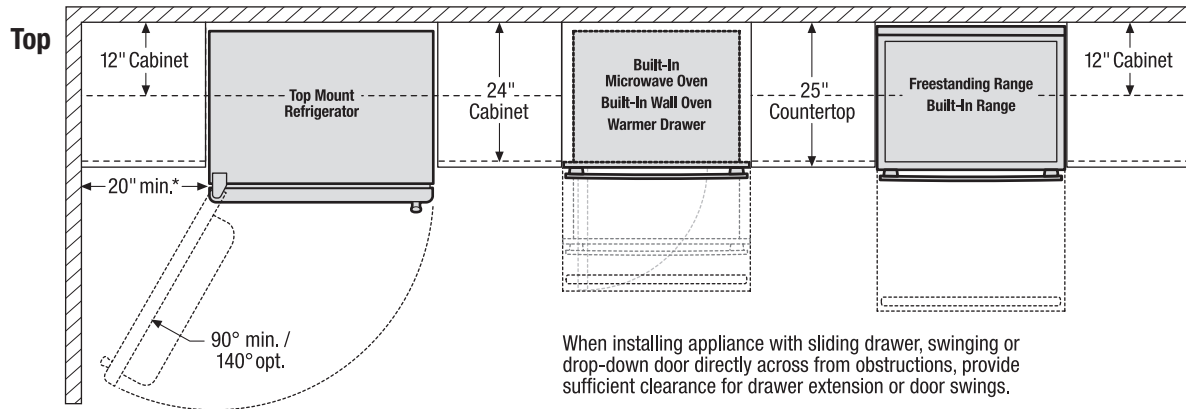
When installing appliance with sliding drawer or drop-down door adjacent to wall, cabinet, or other obstruction that extends beyond front edge of appliance, allow 2" minimum clearance between drawer or door and obstruction.

Use these dimensions and clearance instructions for planning purposes only. For detailed installation instructions, refer to installation guide, packed with product, or on the web at frigidaire.com.



When installing appliances adjacent to each other, 20" minimum distance between each appliance required.

When installing built-in cooking appliances in combination, 2" minimum visible gap between appliance faceplates required.



When installing appliance with sliding drawer, swinging or drop-down door directly across from obstructions, provide sufficient clearance for drawer extension or door swings.

*When installing refrigerator adjacent to wall, cabinet or other appliance that extends beyond front edge of unit, 20" minimum clearance recommended to allow for optimum 140° door swing, providing complete crisper access and removal. (Absolute 3" minimum clearance will ONLY allow for 90° door swing which will provide limited crisper access with restricted removal.)



When installing appliance with sliding drawer or drop-down door directly across from obstructions, provide sufficient clearance for drawer extension or door swing.

